

Use & Care Guide
Manual de Uso y Cuidado
English / Español

Model 758.15408010

Kenmore®

Whole House Humidifier

8 Gallon Output with Digital Readout

P/N 1B72044 05/10
Sears Brands Management Corporation
Hoffman Estates, IL 60179 U.S.A .

www.kenmore.com
www.sears.com



ONE YEAR FULL WARRANTY ON KENMORE HUMIDIFIER

If any part of this humidifier fails due to a defect in material or workmanship within one year from the date of purchase, or if the humidifier motor fails due to a defect in material or workmanship during the second year from the date of purchase, RETURN THE HUMIDIFIER TO THE NEAREST SEARS PARTS & REPAIR CENTER, and it will be repaired free of charge. This warranty does not include humidifier filters, which are expendable parts that can wear out from normal use in less than one year. This warranty gives you specific legal rights, and you may also have other rights which vary from state to state.

Sears Brands Management Corporation, Hoffman Estates, IL 60179

GENERAL SAFETY INSTRUCTIONS

Safety Signal Words

DANGER: means if the safety information is not followed someone **will** be seriously injured or killed.

WARNING: means if the safety information is not followed someone **could** be seriously injured or killed.

CAUTION: means if the safety information is not followed someone **may** be injured.

1. To reduce the risk of fire or shock hazard, plug humidifier directly into a 120V, A.C. electrical outlet. Do not use extension cords.
2. Keep the electric cord out of traffic areas. To reduce the risk of fire hazard, never put the electric cord under rugs, near heat registers, radiators, stoves or heaters.
3. Always unplug the humidifier before moving it, before cleaning, or whenever the humidifier is not in service.
4. Keep the humidifier clean.
5. Do not put foreign objects inside the humidifier.
6. Do not allow to be used as a toy. Close attention is necessary when used by or near children.
7. Never use your humidifier while any part is missing or damaged in any manner.
8. To reduce the risk of electrical hazard or damage to humidifier, do not tilt, jolt or tip humidifier while unit is running.
9. To reduce the risk of damage to humidifier, unplug when not in use.
10. To reduce the risk of accidental electrical shock, do not touch the cord or controls with wet hands.
11. Note the warning label shown below.

WARNING: To reduce risk of fire, electric shock, or injury always unplug before servicing or cleaning.

Table of Contents

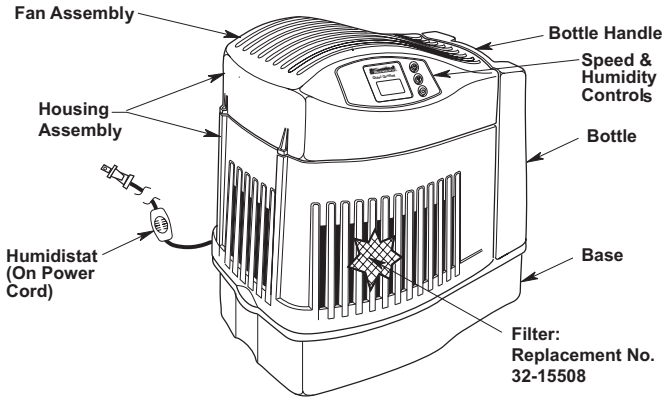
Warranty Information.....	2	Electrical Hook-Up	5
General Safety Instructions	2	Step 3. Water Fill	6
To Save A Service Call.....	3	Step 4. Operating the Controls	7-8
Know Your Humidifier.....	3	Using Your Humidifier	8-9
How Your Humidifier Works.....	4	Replacement and Care of Filters.....	10
Step 1. Getting Your Humidifier		Cleaning and Maintenance.....	11
Up and Running	4	Troubleshooting	12-13
Step 2. Location Instructions	5	Repair Parts.....	14-15

To Save A Service Call

Check the following if your humidifier is not operating.

1. Is power cord attached to outlet?
2. Is there electrical power to outlet?
3. Is fan control on?
4. Is humidity control set high enough?
5. Is the cabinet sitting on a level surface?

Know Your Humidifier



Description	758.15408010
* Gallon Output/24 hrs.	8
Capacity of Bottle	1.2 Gallons
Capacity of Base	1.2 Gallons
* Sq. Ft. Coverage	1700
Fan Speeds	3
Auto Fan Speed	Yes
Replacement Filter	32-15508
Auto Humidistat	Yes
Auto Shut Off	Yes
Controls	Electronic (Push Button)
Rubber Feet	6
ETL Listed	Yes
Volts	120 A.C.
Hertz	60
Amps (High Speed)	1.2
Watts (High Speed)	80

* Based on an area with average insulation and an 8 foot ceiling height.

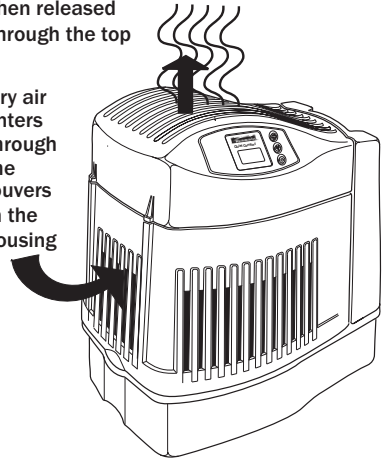
How Your Humidifier Works

Your new Kenmore humidifier is designed to satisfy home humidity requirements through the principle of evaporation of water in the air. Once the filter becomes saturated, air is drawn in, passes through the filter and moisture is absorbed into the air. All evaporation occurs in the humidifier so any residue remains in the filter. This natural process of evaporation virtually eliminates white dust.

CAUTION: To reduce the risk of injury, fire or damage to humidifier, use only cleaners specifically recommended for humidifiers. Never use flammable, combustible or poisonous materials to clean your humidifier. To reduce the risk of scalds and damage to humidifier, never put hot water in humidifier.

Humidified air is then released through the top

Dry air enters through the louvers in the housing



Step 1. Getting Your Humidifier Up and Running

Once removed from its carton, remove all packing materials. Verify the filter is properly seated (See pg.10).

Step 2. Location and Electrical Hook-Up

WARNING: For your own safety, do not use humidifier if any parts are damaged or missing.

Selecting A Location

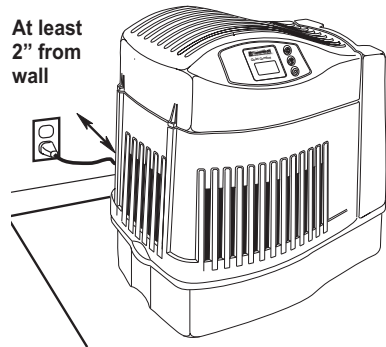
Place humidifier on a flat level surface, take extra care in leveling when placing the unit on carpet. Position the humidifier where the most humidity is needed or where the most air will be circulated throughout the house such as near a cold air return.

Moist air (humidity) produced will disperse into the whole house, but the area closest to the unit will have the highest humidity. If the unit is positioned close to a window, condensation may form on the window pane. If this occurs the unit should be repositioned in another location.

NOTE: Due to release of cool, moist air from humidifier, it is best to direct air away from thermostat and hot air registers and to position humidifier next to an inside wall. Unit should not be placed where cold air from outside walls or warm air from a hot air register blows directly on it.

Positioning The Unit

The humidifier should be positioned with the back (cord exit side) and left side, at least 2 inches away from the wall. Air needs to enter through all of the louvers in the housing assembly in order for the humidifier to operate at peak efficiency.



NOTE: Be sure humidistat (located approximately 2 inches outside humidifier body on power cord) is free from obstruction and away from any hot air source.

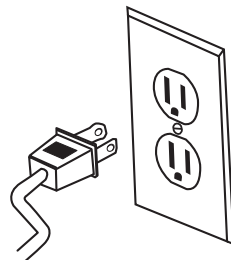
Electrical Hook-Up

Locate nearest 120V A.C. wall socket in the location desired, preferably on inside wall. With the humidifier in the desired location, route the electrical cord safely so no one will trip or upset the humidifier. Plug in the electrical cord.

WARNING: To reduce the risk of fire or shock hazard, humidifier should be plugged into a 120V A.C. outlet. Do not use extension cords.

To reduce the risk of electrical shock, this humidifier has a polarized plug (one blade is wider than the other). This plug will fit in a polarized outlet only one way.

If the plug does not fit fully in the outlet, reverse plug. If it still does not fit, contact a qualified electrician to install the proper outlet. Do not change the plug in any way.



Step 3. Water Fill

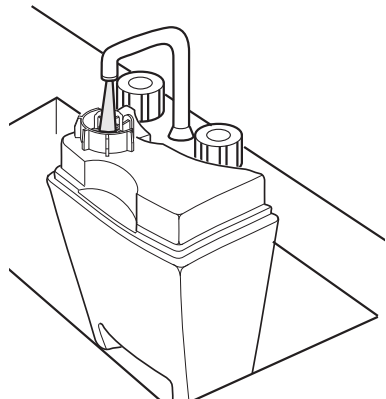
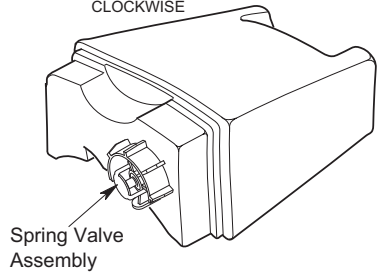
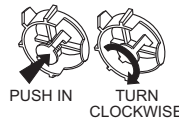
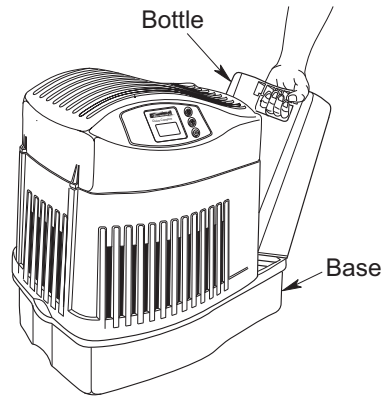
WARNING: To reduce the risk of fire or shock hazard, do not pour or spill water into control or motor area. If controls get wet, let them dry completely and have unit checked by authorized service personnel before plugging in.

After the humidifier is positioned where it will be operating you are ready to fill the humidifier. The bottle lifts straight up and away from the base. Take care not to bump or damage fill valve assembly on the bottom of the bottle.

Invert the bottle. Press the valve stem button into the bottle and turn clockwise to lock in open position. Place bottle under the faucet. Fill the bottle, being careful not to allow any debris to get in the bottle. Debris may interfere with the valve seating. Once the bottle is full, press the valve stem button and turn counter clockwise to release and close.

CAUTION: Use only 32-14900 EPA Registered Bacteriostat available from Sears Retail store. Under no circumstances should you use water treatment products designed for Roto belt or Ultrasonic humidifiers.

Place the water bottle back into the humidifier base. When positioned properly, the plunger will open and the water will flow into the base. The base will hold the entire contents of the water bottle. Once the bottle is empty, remove it and repeat the filling process. The humidifier is now filled to capacity. To benefit from less frequent filling, let the humidifier exhaust both the water from the bottle and the base before filling.



Step 4. Operating the Controls

Where you set your desired humidity level depends on your personal comfort level, outside temperature and inside temperature. A starting set point of 30% - 40% **ROOM** humidity is recommended but there may be conditions that require a different setting.


IMPORTANT: Water damage may result if condensation starts to form on windows or walls. Humidity **SET** point should be lowered until condensation no longer forms. We recommend room humidity levels do not exceed 50%.

When Outdoor Temperature is:		Recommended Indoor Relative Humidity (RH) is:
-10° F	-24° C	20%
2° F	-18° C	25%
10° F	-12° C	30%
20° F*	-6° C*	35%

* and above

To Operate the Controls

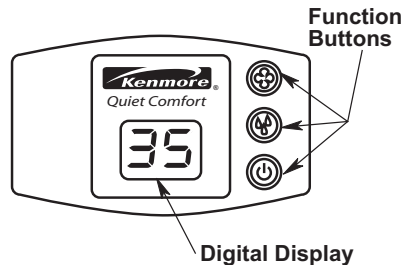
Digital Display

Press the power button once to turn the unit on*  Initially there is a slight delay while the electronics calibrate.

Two bars (- -) appear during this time. Once calibration is complete a **ROOM** humidity reading between 25% - 95% will be displayed. A flashing 20 display indicates that the room humidity is less than 20%

.NOTE: The default settings at initial startup are **(LOW) F1** fan speed and **65%** **SET** humidity. After desired settings are selected by the user, they remain as long as the unit remains plugged in and there is no power interruption. If the unit is unplugged the **original** default settings are employed.

* Humidifier fan should operate at initial start up. If it does not, refer to "Fan not operating (digital display is illuminated)" in the "Trouble Shooting" section on page 12 of this manual.



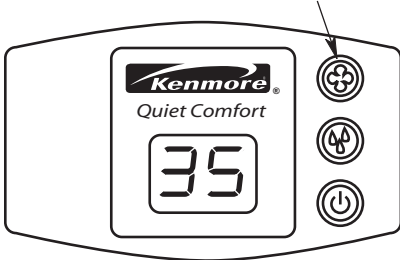
Operating the Controls (cont'd.)

Speed Button

This humidifier is equipped with a 3-speed fan control. Initially depressing the speed button will display the current speed setting. Each push of the speed button advances the mode through the settings of **(HIGH) F3**, **(MEDIUM) F2**, **(LOW) F1** and **(AUTO) A**.

The selected setting is displayed on the digital readout. The higher the setting, the faster water is evaporated and released into the air. **F1 (LOW)** is the quietest setting and is provided for conditions that do not require a rapid evaporation rate. When **(AUTO) A** is selected the humidifier will determine the required fan speed needed to bring the actual room humidity up to the set humidity.

Speed Button

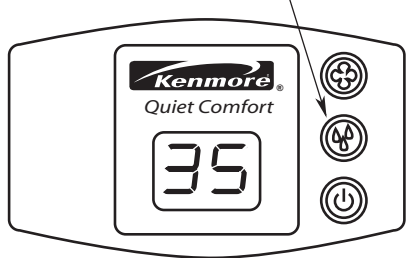


Humidity Control

This button allows you to adjust the humidity to suit your needs. This humidifier will automatically cycle on and off as required to maintain the selected setting. The readout displays both actual (ROOM) and desired (SET) humidity percentage (%) settings when humidity control button is pressed. The ROOM readout has a range of 20% to 95%. If the room humidity level is equal to or less than 20% the display will show a flashing 20.

The SET readout has a range of 25% to 65% and is adjusted in increments of 5%. Initially depressing the humidity button will display the current humidity setting. Each additional press of the button increases the setting by 5%. A SET point of 65% operates the humidifier continuously regardless of the ROOM reading. The humidistat that senses the readings is located on the power cord. Ensure that this humidistat is free from obstruction.

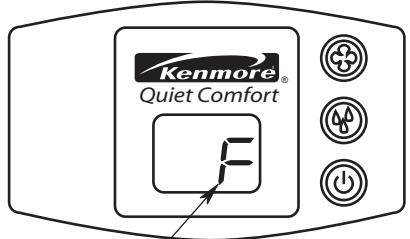
Humidity Button



Using Your Humidifier

Refill Display

For maximum run time both the bottle and the base should be filled. When both the bottle and the base empties, the display alternates the room humidity reading and **"F" (FILL)**, informing additional water is required. Also at this time the unit will automatically switch into **DRY OUT MODE** and continue to run on the lowest speed until the filter is dry.



Refill / Dryout Mode Display

NOTE: During this time the room humidity level will continue to be monitored and the humidifier will cycle the fan on and off until the filter is completely dry. The fan will shut off leaving you with a dry humidifier that is less prone to mold and mildew growth. If **DRY OUT MODE** is not desired, refill the humidifier with water and the fan will return to the set speed.

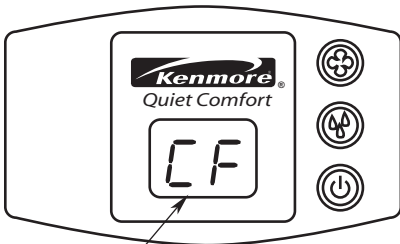
NOTE: Fan automatically switches to lowest speed during **DRY OUT MODE**.

Check Filter Indicator

The ability of any humidifier to efficiently supply humidity output relies heavily on the condition of the filter. As the filter loads with impurities it gradually loses its wicking capability. When this happens, moisture output is reduced and the humidifier has to work longer to satisfy the selected setting. This humidifier has a check filter reminder timed to appear after 720 hours of operation. When the display shows an alternating “CF” and “room humidity” setting at 5 second intervals it is a reminder to check the filter condition.

NOTE: Some areas have high water mineral content causing the need for more frequent filter changes.

Refer to “Replacement and Care of Filter” on page 10. If a build-up of deposits or severe discoloration is evident replace the filter to restore maximum efficiency.



Check Filter Display

Humidistat

The humidistat located on the power cord senses the percentage of humidity in the air. It causes the humidifier to cycle on and off to maintain the selected humidity **SET** point. The fan will turn on if the “**ROOM**” reading falls 3% below the **SET** point and will continue to run the humidifier until a reading of 1% above the **SET** point is achieved. The fan will turn off until the **ROOM** reading falls 3% below the **SET** point again.

Control Lock Out

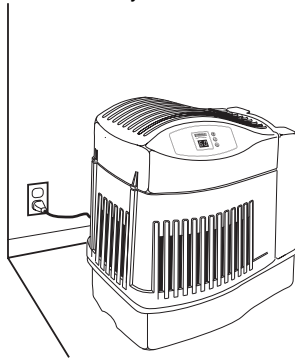
To avoid unwanted tampering with the humidifier settings the controls can be locked.

Activation Procedure

After the humidifier functions have been set up, hold the power button down for 5 seconds. The display will show “**CL**” for 2 seconds; release the power button and the control will resume the display of the room humidity. The room humidifier will continue to function with the locked in settings. If buttons are operated while “**CL**” is active, the “**CL**” is displayed and settings are unaffected.

Deactivation Procedure

To deactivate the “**CL**” function simply press and hold the power button for 5 seconds. “**CL**” will flash at the rate of 1 second on and 1 second off for a period of 2 seconds and then resume the display of room humidity.



NOTE: Be sure humidistat is located approximately 2 inches outside humidifier body and power cord is free from obstruction and away from any hot air register.

Replacement and Care of Filter

WARNING: To reduce the risk of shock or injury from moving parts, always unplug humidifier before removing or replacing any parts.

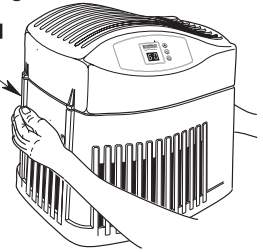
CAUTION: To help retard bacteria growth and keep maximum efficiency, the filter should be replaced at least once per season, or more often under hard water conditions. Use Kenmore 32-15508 recommended replacement filter.

Replace the evaporative wicking filter at least once per humidification season or more depending on water conditions in your area.

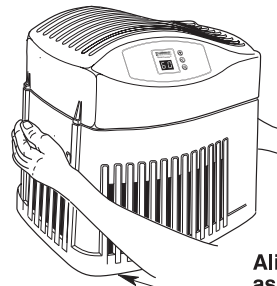
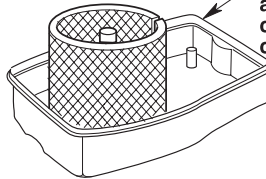
Filter Replacement

1. Unplug humidifier. Before removing the filter, we recommend moving the humidifier to an area where floor coverings are not susceptible to water damage. (i.e. kitchen or bath areas.)
2. Remove the water bottle and set aside. Be sure not to bump or damage the fill valve.
3. Grasp the housing assembly and lift straight up and away from the base and set aside. The filter is now accessible.
4. Take note of the filter position. Remove the filter. You may want to clean the base at this time. See the "Cleaning Your Humidifier" section of this manual.
5. Install a new filter (32-15508) into the base. Coil the filter and position it between the uprights in the bottom of the base. The start and finish of the coil should be captured at the center of the base (see diagram) and the filter should be resting on the floor of the base.
6. Return the housing assembly to the top of the base. Reposition the humidifier to its operating position.
7. The humidifier is now ready to be filled with operation.

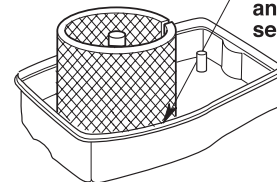
Grasp housing assembly securely and lift off



Position start and finish of coiled filter at center of base



Align housing assembly bottom with top of base and reposition securely



Cleaning and Maintenance

WARNING: To reduce the risk of injury, fire or damage to humidifier, use only cleaners specifically recommended for humidifiers. Never use flammable, combustible or poisonous materials to clean your humidifier. To reduce the risk of scalds and damage to humidifier, never put hot water in humidifier.

CAUTION: Local water purity varies from area to area and under certain conditions water impurities and airborne bacteria may promote the growth of microorganisms in the reservoir of the humidifier. To retard bacteria growth that may cause odors and be harmful to your health, use only Kenmore replacement filters. We also recommend using EPA approved bacteriostat, and humidifier cleaner, available at your local Sears store.

Step 1

To make cleaning easier, the humidifier base should be empty and completely dried out. To accomplish this, use the following method:

- a. Allow the humidifier to run until the REFILL message "F" illuminates and the automatic shutoff has stopped the humidifier fan.
- b. Unplug humidifier.

Step 2

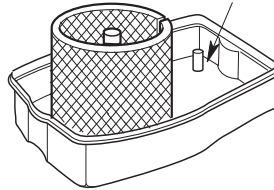
WARNING: To reduce the risk of shock, always unplug humidifier before cleaning or servicing. If humidifier is not unplugged, fan could start after housing is removed.

To Remove Parts

See "Replacement and Care of Filter" page 10.

NOTE: There may be a little water still in the base. Carefully dump the water out or remove with a sponge.

NOTE: Remove excess water before cleaning



Step 3 Bi-Weekly Maintenance

Removing Scale

1. Fill the humidifier base with one 8 oz. cup of undiluted white vinegar. Let solution stay 20 minutes.
2. Clean all interior surfaces with a soft brush. Dampen a soft cloth with undiluted white vinegar and wipe out the base to remove scale.
3. Rinse thoroughly with clean warm water to remove scale and cleaning solution.

Disinfecting Base

1. Pour 1/2 gallon of water and 1/2 teaspoon chlorine bleach into the base. Let solution stay for 20 minutes, carefully swishing every few minutes. Wet all surfaces normally exposed to water.
2. Empty base after 20 minutes. Rinse with water until bleach smell is gone. Allow unit to dry out completely.

NOTE: The water bottle should be cleaned in the same manner as the base. Rinse thoroughly with clean water after all steps are complete.

End of Season Maintenance

1. Follow "Bi-Weekly Maintenance" instructions at end of humidification season.
2. Remove filter.
3. Let humidifier dry completely before storing.
4. Store in cool, dry location.
5. Install a new filter in clean humidifier before next season begins.

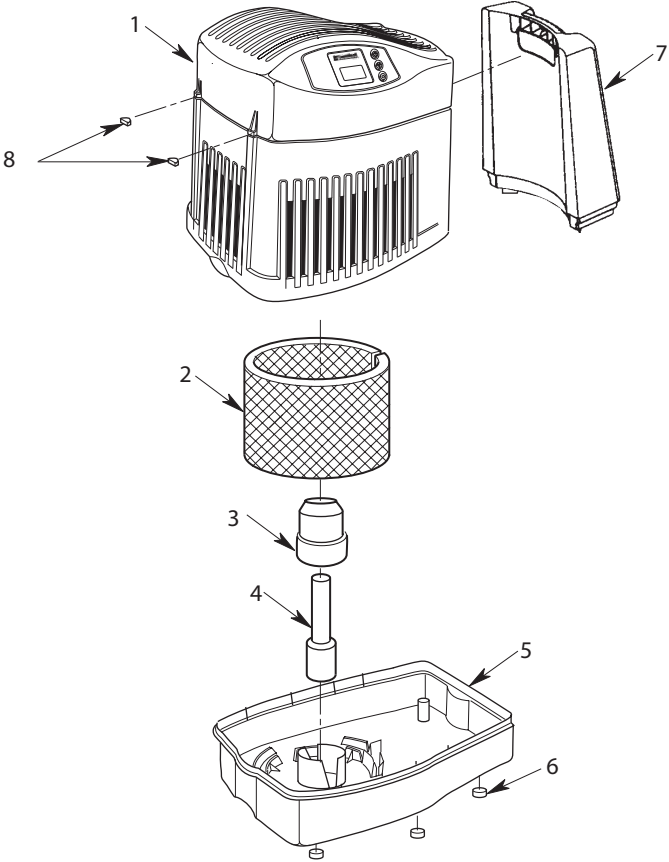
NOTE: "Bi-Weekly Maintenance" procedure is also recommended if you do not plan to run the humidifier for one week or more.

Troubleshooting

TROUBLE	PROBABLE CAUSE	REMEDY
Digital display not illuminated.	<ul style="list-style-type: none"> No Power. Power button has not been depressed. 	<ul style="list-style-type: none"> Check 120 volt power source. Press power button once to turn on.
Fan not operating (Digital display is illuminated).	<ul style="list-style-type: none"> ROOM humidity level is not 3% or more Reservoir is empty. 	<ul style="list-style-type: none"> Raise SET humidity level if desired. Increase fan speed. Fill humidifier with water.
Fan running continuously.	<ul style="list-style-type: none"> SET humidity level is 65%. ROOM humidity level has not reached 1% or more above SET humidity level. 	<ul style="list-style-type: none"> A SET humidity percentage of 65% operates fan continuously. Adjust SET level between 25% - 60%. Continue to run until desired humidity level is achieved. This may take up to 48 hours initially.
Poor evaporation of water.	<ul style="list-style-type: none"> CHECK FILTER message flashing. Mineral buildup on filter. 	<ul style="list-style-type: none"> Change to a fresh new filter. NOTE: Local water purity varies from area to area.
Bottle empties completely.	<ul style="list-style-type: none"> This is normal for initial filling. 	<ul style="list-style-type: none"> Refill bottle for maximum run time.
Bottle continues to empty after complete filling.	<ul style="list-style-type: none"> Air is entering water bottle. 	<ul style="list-style-type: none"> Check for leak in water bottle.
Bottle not emptying.	<ul style="list-style-type: none"> Spring Valve Assembly damaged or missing post in bottom of base. Base full of water. 	<ul style="list-style-type: none"> Check orientation of bottle. Reposition so that fill valve on bottom of bottle is depressed by post in bottom of base. The base will hold the contents of water bottle (1.2 gallons). Continue to run humidifier to deplete water from base.
Display blinks or fan moves slightly when humidifier is plugged in.	<ul style="list-style-type: none"> Normal. 	<ul style="list-style-type: none"> No action required.
Fan operating slower than speed registered on digital display.	<ul style="list-style-type: none"> Humidifier in "DRY OUT MODE". 	<ul style="list-style-type: none"> Humidifier automatically switches fan to (LOW) F1 when "F" and alternating room humidity is displayed.
Humidifier not shutting off during "DRY OUT MODE".	<ul style="list-style-type: none"> Filter not dry. 	<ul style="list-style-type: none"> During DRY OUT mode the humidifier will continue to run on LOW speed as required for up to 2 hours or until the filter is completely dry.
Alternating "F" and room humidity displayed.	<ul style="list-style-type: none"> Reservoir is empty. 	<ul style="list-style-type: none"> Fill humidifier with water.
Alternating "CF" and room humidity displayed.	<ul style="list-style-type: none"> Filter may be dirty. 	<ul style="list-style-type: none"> Replace filter. Unplug unit for 30 seconds and replug into clear display.

Repair Parts

Parts List for Kenmore Humidifier Model No. 758.15408010



Parts List for Kenmore Humidifier Model No. 758.15408010

Always order by part number - Not by key number

Key No.	Part No.	Description
1	758.15408010	Housing, Upper Assembly (includes all parts 1-9)
2	32-15508	† Filter
3	831188-1	Support, Float
4	831189	Float, Reservoir
5	831187-1	Base
6	831190	Foot Rubber
7	831199	Bottle Assembly
8	831207	Cap, Screw
9	1B72044	Owner's Manual (not shown)

* Standard Hardware Item - May be purchased locally.

† Stock item - May be secured through the Hardware Department of most Sears retail stores.

• Any attempt to repair the control assembly or motor may create a hazard unless repair is done by a qualified service technician. Repair service is available at your nearest Sears store.

Notes

Notes



A series of 18 horizontal lines for writing notes, evenly spaced and aligned with the top line of the thick header line.

Manual de Uso y Cuidado
Use & Care Guide
Español / English

Model 758.15408010

Kenmore[®]
Humidificador Para Toda
La Casa
Producción de 8 galones con lectura digital

P/N 1B72044 05/10
Sears Brands Management Corporation
Hoffman Estates, IL 60179 U.S.A .

www.kenmore.com
www.sears.com



GARANTÍA COMPLETA DE UN AÑO PARA EL HUMIDIFICADOR KENMORE

Si cualquier pieza de este humidificador falla debido a un defecto de material o de fabricación dentro del plazo de un año a partir de la fecha de compra, o si el motor del humidificador falla debido a un defecto de material o de fabricación durante el segundo año a partir de la fecha de compra, DEVUELVA EL HUMIDIFICADOR AL CENTRO DE PIEZAS Y REPARACIÓN DE SEARS MÁS CERCANO y será reparado sin ningún cargo. Esta garantía no incluye los filtros del humidificador, que son piezas perecederas que se pueden desgastar por causa del uso normal en menos de un año. Esta garantía le confiere a usted derechos legales específicos y es posible que usted también tenga otros derechos que varían de un estado a otro.

Sears Brands Management Corporation, Hoffman Estates, IL 60179

INSTRUCCIONES GENERALES DE SEGURIDAD

Palabras de señal de seguridad

PELIGRO: Significa que si no se sigue la información de seguridad, alguien **resultará** lesionado gravemente o morirá.

ADVERTENCIA: Significa que si no se sigue la información de seguridad, alguien **podría** resultar lesionado gravemente o morir.

PRECAUCIÓN: Significa que si no se sigue la información de seguridad, alguien **podría** resultar lesionado.

1. Para reducir el riesgo de peligro de incendio o descargas eléctricas, enchufe el humidificador directamente en un tomacorriente de 120 V C.A. No use cordones de extensión.
2. Mantenga el cable eléctrico alejado de las zonas de tráfico. Para reducir el riesgo de peligro de incendio, no ponga nunca el cordón eléctrico debajo de alfombras ni cerca de salidas de calor, radiadores de calor, estufas de cocina o calentadores.
3. Desenchufe siempre el humidificador antes de trasladarlo, antes de limpiarlo o siempre que no esté en servicio.
4. Mantenga limpio el humidificador.
5. No ponga objetos extraños dentro del humidificador.

6. No deje que el humidificador se use como un juguete. Es necesario prestar mucha atención cuando el humidificador sea usado por niños o cerca de ellos.
7. No utilice nunca el humidificador mientras alguna pieza falte o esté dañada de cualquier manera.
8. Para reducir el riesgo de peligro eléctrico o daños al humidificador, no incline, sacuda ni vuelque el humidificador mientras la unidad esté en marcha.
9. Para reducir el riesgo de daños al humidificador, desenchúfelo cuando no esté en uso.
10. Para reducir el riesgo de descargas eléctricas accidentales, no toque el cable de alimentación ni los controles con las manos mojadas.
11. Fíjese en la etiqueta de advertencia que se muestra a continuación.

ADVERTENCIA: Para reducir el riesgo de incendio, descargas eléctricas o lesiones, desenchufe siempre el humidificador antes de hacerle servicio de ajustes y reparaciones o limpiarlo.

Índice

Información de garantía	18
Instrucciones generales de seguridad	18
Para ahorrarse una llamada de servicio	19
Familiarícese con el humidificador	19
Cómo funciona el humidificador	20
Paso 1. Preparación y puesta en marcha del humidificador.....	20
Paso 2. Instrucciones de ubicación	21

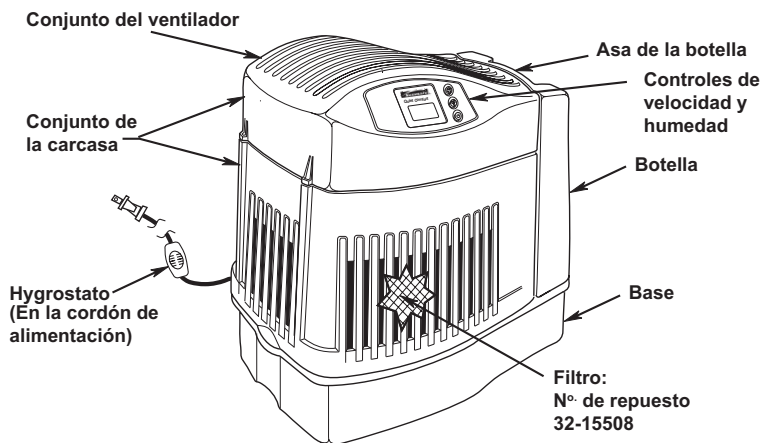
Conexión eléctrica.....	21
Paso 3. Llenado con agua	22
Paso 4. Utilización de los controles	23-24
Utilización del humidificador	25-26
Reemplazo y cuidado del filtro.....	26
Limpieza y mantenimiento	27
Resolución de problemas.....	28-29
Piezas de repuesto	30-31

Para ahorrarse una llamada de servicio

Compruebe lo siguiente si el humidificador no funciona.

1. ¿Está el cable de alimentación conectado a un tomacorriente?
2. ¿Hay alimentación eléctrica al tomacorriente?
3. ¿Está el control de humedad ajustado a un nivel lo suficientemente alto?
4. ¿Está el gabinete ubicado en una superficie nivelada?

Familiarícese con el humidificador



Descripción	758.15408010
* Producción en galones /24 h	8 (30 litros)
Capacidad de la botella	1,2 galones (4,5 litros)
Capacidad de la botella	1,2 galones
* Cobertura en pies cuadrados	1700 (158 m ²)
Velocidades del ventilador	3
Velocidad automática del ventilador	Sí
Filtro de repuesto	32-15508
Higrostató automático	Sí
Apagado automático	Sí
Controles	Electrónicos (pulsadores)
Pies de goma	6
Catalogado por CETL	Sí
Voltaje	120 V C.A.
Frecuencia	60 Hz
Intensidad (alta velocidad)	1,2 A
Potencia (alta velocidad)	80 W

* Basada en una zona con aislamiento promedio y una altura de habitación de 2,44 m (8 pies).

Cómo funciona el humidificador

Su nuevo humidificador Kenmore está diseñado para satisfacer los requisitos de humedad del hogar a través del principio de la evaporación del agua en el aire. Una vez que el filtro se satura, se hace entrar aire, el cual pasa a través del filtro y absorbe humedad. Toda la evaporación ocurre en el humidificador, por lo que todos los residuos permanecen en el filtro. Este proceso natural de evaporación elimina prácticamente el polvo blanco.

Luego, se expulsa aire humidificado a través de la parte superior



PRECAUCIÓN: Para reducir el riesgo de lesiones, incendio o daños al humidificador, utilice únicamente limpiadores recomendados específicamente para humidificadores. No utilice nunca materiales inflamables, combustibles o tóxicos para limpiar el humidificador.

Para reducir el riesgo de quemarse y de dañar el humidificador, no ponga nunca agua caliente en el humidificador.

Paso 1. Preparación y puesta en marcha del humidificador

Una vez que haya sacado el humidificador de la caja de cartón, quite todos los materiales de empaquetamiento. Verifique que el filtro esté asentado apropiadamente (consulte la página 26).

Paso 2. Ubicación y conexión eléctrica

ADVERTENCIA: Para su propia seguridad, no utilice el humidificador si alguna pieza está dañada o falta.

Selección de una ubicación

Coloque el humidificador en una superficie plana y nivelada. Tenga cuidado adicional de nivelar la unidad cuando la coloque sobre una alfombra. Coloque el humidificador en el lugar donde se necesite más humedad o donde se haga circular la mayor cantidad de aire a través de la casa, como por ejemplo cerca de un retorno de aire frío.

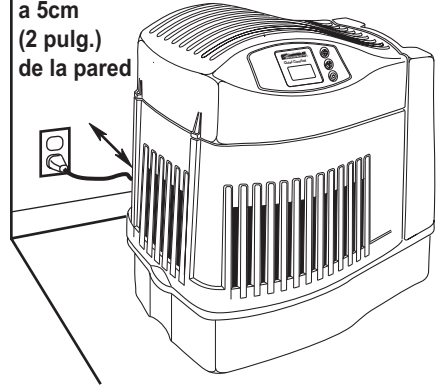
El aire húmedo (humedad) producido se dispersará por toda la casa, pero el área más próxima a la unidad tendrá la humedad más alta. Si la unidad está ubicada cerca de una ventana, es posible que se forme condensación en el vidrio de la ventana. Si esto ocurre, se debe colocar la unidad en otra ubicación.

NOTA: Debido a que el humidificador expulsa aire frío y húmedo, lo mejor es dirigir el aire alejándolo del termostato y las salidas de aire caliente, y posicionar el humidificador junto a una pared interior. No debe colocarse la unidad en lugares donde el aire frío procedente de las paredes exteriores o el aire caliente procedente de una salida de aire caliente sople directamente hacia ella.

Colocación de la unidad

El humidificador debe colocarse con la parte trasera (el lado de salida del cable de alimentación) y el lado izquierdo al menos a 5 cm (2 pulgadas) de la pared. El aire tiene que entrar a través de todas las rejillas ubicadas en el conjunto de la carcasa para que el humidificador funcione con la máxima eficiencia.

Al menos a 5 cm (2 pulg.) de la pared



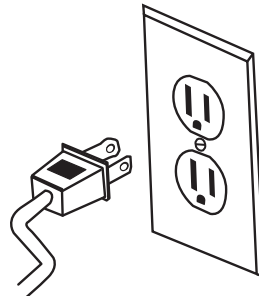
NOTA: Asegúrese de que el higróstato, ubicado aproximadamente a 5 cm (2 pulgadas) fuera del cuerpo del humidificador, en el cordón de alimentación, esté libre de obstrucciones y alejado de todas las salidas de aire caliente.

Conexión eléctrica

Localice el tomacorriente de pared de 120 V C.A. más cercano en la ubicación deseada, preferiblemente en una pared interior. Con el humidificador en la ubicación deseada, dirija el cordón eléctrico de modo seguro para que nadie tropiece con él ni desajuste el humidificador. Enchufe el cordón eléctrico.

ADVERTENCIA: Para reducir el riesgo de peligro de incendio o descargas eléctricas, el humidificador debe enchufarse en un tomacorriente de 120 V C.A. No utilice cordones de extensión.

Para reducir el riesgo de descargas eléctricas, este humidificador tiene un enchufe polarizado (un terminal es más ancho que el otro). Este enchufe entrará de un solo modo en un toma corriente polarizado.



Paso 3. Llenado con agua

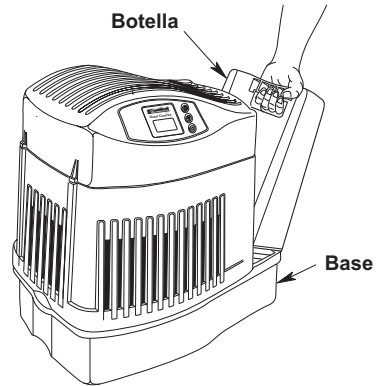
ADVERTENCIA: Para reducir el riesgo de peligro de incendio o descargas eléctricas, no eche ni derrame agua en el área de los controles o del motor. Si los controles se mojan, deje que se sequen completamente y haga que la unidad sea revisada por personal de servicio autorizado antes de enchufarla.

Después de que el humidificador esté posicionado en el lugar donde vaya a utilizarse, habrá llegado el momento de llenarlo. La botella se levanta directamente hacia arriba y alejándose de la base. Tenga cuidado de no golpear ni dañar el conjunto de la válvula de llenado ubicada en la parte inferior de la botella.

Invierta la botella. Oprima el botón del vástago de la válvula hacia el interior de la botella y gírelo en el sentido de las agujas del reloj para bloquear la válvula en la posición abierta. Coloque la botella bajo una llave de agua. Llene la botella, teniendo cuidado de no permitir que entren residuos en ella. Los residuos pueden interferir con el asiento de la válvula. Una vez que la botella esté llena, oprima el botón del vástago de la válvula y gírelo en sentido contrario al de las agujas del reloj para desbloquear la válvula y cerrarla.

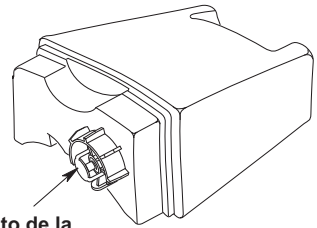
PRECAUCIÓN: Utilice únicamente un bacteriostato registrado por EPA 32-14900, el cual se puede obtener en una tienda minorista Sears. En ninguna circunstancia debe usted usar productos de tratamiento de agua diseñados para humidificadores de disco de impulso o ultrasónicos.

Coloque la botella de agua de vuelta en la base del humidificador. Cuando esté colocada correctamente, el émbolo se abrirá y el agua fluirá al interior de la base. La base albergará todo el contenido de la botella de agua. Una vez que la botella esté vacía, retírela y repita el proceso de llenado. El humidificador está ahora lleno a su máxima capacidad. Para beneficiarse de tener que llenar el humidificador con menos frecuencia, deje que el humidificador agote el agua tanto de la botella como de la base antes de llenarlo.

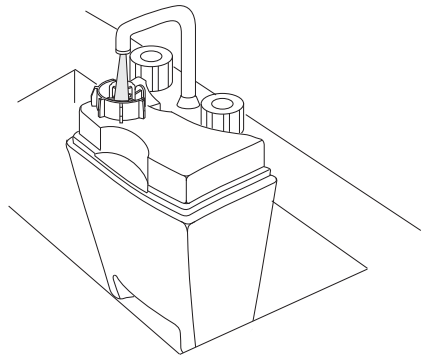


GIRE EN EL SENTIDO DE LAS AGUJAS DEL RELOJ

OPRIMA



Conjunto de la válvula de resorte



Paso 4. Utilización de los controles

El punto en el que ajuste los niveles de humedad deseados depende de su nivel de confort personal, la temperatura exterior y la temperatura interior. Se recomienda un punto de ajuste inicial de humedad **AMBIENTE** del 30 al 40 por ciento, pero puede haber condiciones que requieran un ajuste distinto.

IMPORTANTE: Si se empieza a formar condensación se pueden producir daños en las ventanas o en las paredes causados por agua. Debe bajarse el punto de **AJUSTE** de la humedad hasta que ya no se forme condensación. Recomendamos que los niveles de humedad ambiente no excedan el 50%.

Para utilizar los controles

Pantalla digital

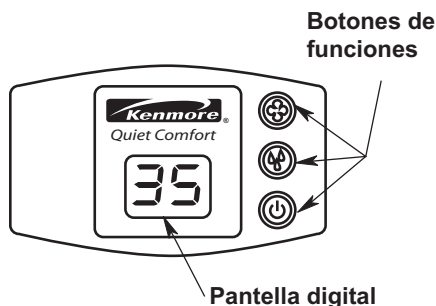
Oprima el botón de alimentación una vez para que se muestre la lectura digital*. Inicialmente, hay una ligera demora mientras los componentes electrónicos se calibran. Dos barras (--) parpadearán durante este tiempo. Una vez que la calibración se haya completado, se mostrará una lectura de humedad **AMBIENTE** entre el 20 y el 95 por ciento. Una visualización de un 20 que parpa dea indica que la humedad ambiente es inferior al 20%.

NOTA: Los ajustes preestablecidos en la puesta en marcha inicial son la velocidad del ventilador **F1 (BAJA)** y la humedad de **AJUSTE** del 65%. Después de que el usuario seleccione los ajustes deseados, dichos ajustes permanecerán mientras la unidad se mantenga enchufada y no haya interrupciones del suministro eléctrico. Si se desenchufa la unidad, se emplean los ajustes preestablecidos **originales**.

* El ventilador del humidificador debe funcionar en la puesta en marcha inicial. Si no funciona, consulte "El ventilador no funciona (la pantalla digital está iluminada)" en la sección "Resolución de problemas" de la página 28 de este manual.

Cuando la temperatura exterior es:		La humedad relativa interior recomendada es:
-10° F	-24°C	20%
2° F	-18°C	25%
10° F	-12°C	30%
20° F*	-6°C*	35%

* y superior



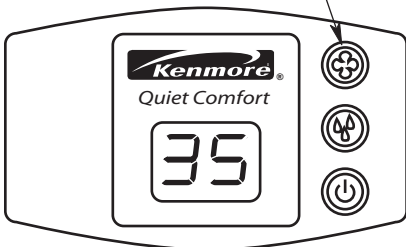
Utilización de los controles (continuación)

Botón de velocidad

Este humidificador está equipado con un control de ventilador de 3 velocidades. Inicialmente, al oprimir el botón de velocidad se visualizará el ajuste de velocidad actual. Cada pulsación del botón de velocidad hace avanzar el modo a través de los ajustes de **F3 (ALTA)**, **F2 (INTERMEDIA)**, **F1 (BAJA)** y **A (AUTO)**.

El ajuste seleccionado se muestra en la lectura digital. Cuanto más alto sea el ajuste, más rápidamente se evaporará y liberará el agua al aire. **F1 (BAJA)** es el ajuste más silencioso y se proporciona para condiciones que no requieran una tasa de evaporación rápida. Cuando se seleccione **A (AUTO)**, el humidificador determinará la velocidad del ventilador que sea necesaria para llevar la humedad ambiente real a la humedad ajustada.

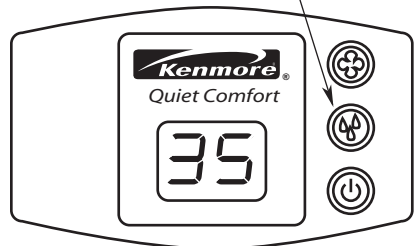
Botón de velocidad



Control de humedad

Este botón le permite ajustar la humedad para adaptarla a sus necesidades. Este humidificador se encenderá y apagará ciclicamente de modo automático según se requiera para mantener el ajuste seleccionado. La lectura muestra tanto los ajustes de porcentaje de humedad (%) real (**AMBIENTE**) como deseado (**AJUSTE**) cuando se oprime el botón de control de humedad. La lectura **AMBIENTE** tiene un intervalo del 20 al 95 por ciento. Si el nivel de humedad ambiente es igual o inferior al 20%, la pantalla mostrará un 20 que parpadea. La lectura del **AJUSTE** tiene un intervalo del 25 al 65 por ciento y se ajusta en incrementos de 5%. Al oprimir inicialmente el botón de humedad, se visualizará el ajuste de humedad actual. Cada pulsación adicional del botón aumenta el ajuste en un 5%. Un punto de **AJUSTE** de 65% hace funcionar continuamente el humidificador, independientemente de la lectura **AMBIENTE**. El higróstato que detecta las lecturas está ubicado en el cordón de alimentación. Asegúrese de que esté libre de obstrucciones.

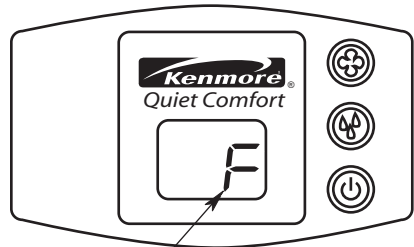
Botón de humedad



Utilización del humidificador

Visualización de relleno

Para obtener el máximo tiempo de funcionamiento, se deben llenar tanto la botella como la base. Cuando tanto la botella como la base se vacíen, la lectura de humedad ambiente y "F" (**LLENAR**) alternarán en la pantalla, informando que se requiere agua adicional. También en este momento, la unidad cambiará automáticamente al **MODO DE RESECACIÓN** y continuará funcionando a la velocidad más baja hasta que el filtro esté seco.



Visualización de relleno /
Modo de resecación

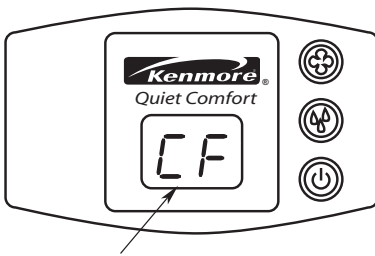
NOTA: Durante este tiempo, el nivel de humedad ambiente seguirá siendo supervisado y el humidificador encenderá y apagará cíclicamente el ventilador hasta que el filtro esté completamente seco. El ventilador se apagará, dejando un humidificador seco que es menos propenso al crecimiento de moho y verdín. Si no se desea el **MODO DE RESECACIÓN**, rellene el humidificador con agua y el ventilador regresará a la velocidad de ajuste.

NOTA: El ventilador cambia automáticamente a la velocidad más baja durante el **MODO DE RESECACIÓN**.

Indicador de comprobación del filtro

La capacidad de cualquier humidificador para suministrar eficientemente humedad depende en gran medida del estado del filtro. A medida que el filtro se carga con impurezas, pierde gradualmente su capacidad de mecha. Cuando esto ocurre, la producción de humedad se reduce y el humidificador tiene que trabajar más tiempo para satisfacer el ajuste seleccionado. Este humidificador tiene un recordatorio de comprobación del filtro temporizado para aparecer después de 720 horas de funcionamiento. Cuando la pantalla muestre un ajuste que alterna entre “CF” y “humedad ambiente” a intervalos de 5 segundos, eso es un recordatorio de comprobar el estado del filtro.

NOTA: Algunas zonas tienen un alto contenido de minerales en el agua, lo cual causa la necesidad de hacer cambios más frecuentes del filtro. Consulte la sección “Reemplazo y cuidado del filtro” en la página 26. Si es evidente que hay una acumulación de depósitos o una descoloración intensa, reemplace el filtro para restablecer la máxima eficiencia.



Visualización de comprobación del filtro

Higrostat

El higrostat ubicado en el cordón de alimentación detecta el porcentaje de humedad presente en el aire. Hace que el humidificador se encienda y apague cíclicamente para mantener el punto de **AJUSTE** de humedad seleccionado. El ventilador se encenderá si la lectura “**AMBIENTE**” desciende un 3% por debajo del punto de **AJUSTE** y seguirá haciendo funcionar el humidificador hasta que se logre una lectura de un 1% por encima del punto de **AJUSTE**. El ventilador se apagará hasta que la lectura **AMBIENTE** descienda de nuevo un 3% por debajo del punto de **AJUSTE**.

Bloqueo de los controles

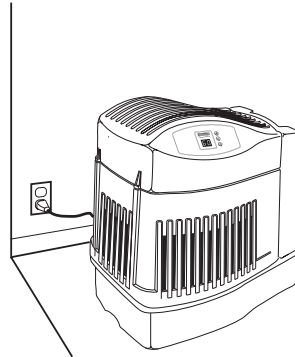
Para evitar una manipulación indebida y no deseada de los ajustes del humidificador, se pueden bloquear los controles.

Procedimiento de activación

Después de que se hayan ajustado las funciones del humidificador, mantenga oprimido el botón de alimentación durante 5 segundos. La pantalla mostrará “**CL**” durante 2 segundos; suelte el botón de alimentación y el control reanudará la visualización de la humedad ambiente. El humidificador ambiental continuará funcionando con los ajustes bloqueados. Si se accionan los botones mientras la función “**CL**” está activa, se visualizará “**CL**” en la pantalla y los ajustes no resultarán afectados.

Procedimiento de desactivación

Para desactivar la función “**CL**”, simplemente oprima y mantenga oprimido el botón de alimentación durante 5 segundos. “**CL**” parpadeará con una frecuencia de 1 segundo encendido y 1 segundo apagado durante un período de 2 segundos y luego reanudará la visualización de la humedad ambiente.



NOTA: Asegúrese de que el higrostat ubicado aproximadamente a 5 cm (2 pulgadas) fuera del cuerpo del humidificador en el cordón de alimentación esté libre de obstrucciones y esté alejado de todas las salidas de aire caliente.

Reemplazo y cuidado del filtro

ADVERTENCIA: Para reducir el riesgo de descargas eléctricas o lesiones causadas por las piezas móviles, desenchufe siempre el humidificador antes de quitar o reemplazar cualquier pieza.

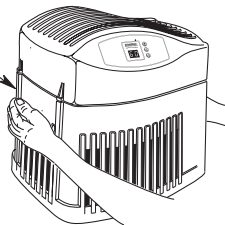
PRECAUCIÓN: Para ayudar a retardar el crecimiento de bacterias y mantener la máxima eficiencia, se debe reemplazar el filtro al menos una vez por estación, o más a menudo en condiciones de agua dura. Use el filtro de repuesto recomendado Kenmore 32-15508.

Reemplace el filtro de mecha vaporizador al menos una vez por temporada de humidificación o más, dependiendo de las condiciones del agua de su zona.

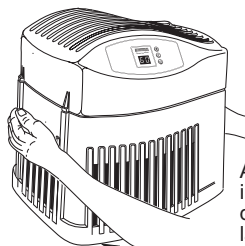
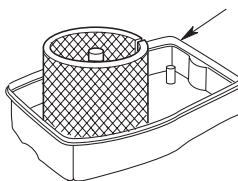
Reemplazo del filtro

1. Desenchufe el humidificador. Antes de quitar el filtro, recomendamos trasladar el humidificador a un lugar donde los revestimientos del piso no estén propensos a sufrir daños por causa del agua (por ejemplo, zonas de cocina o de baño.)
2. Quite la botella de agua y póngala a un lado. Asegúrese de no golpear ni dañar la válvula de llenado.
3. Agarre el conjunto de la carcasa, levántelo directamente hacia arriba, alejándolo de la base, y póngalo a un lado. Una vez hecho esto, tendrá acceso al filtro.
4. Fíjese en la posición del filtro. Quite el filtro. Puede que quiera limpiar la base en este momento. Consulte la sección "Limpieza del humidificador" de este manual.
5. Instale un filtro nuevo (32-15508) en la base. Enrole el filtro y colóquelo entre los postes ubicados en el fondo de la base. El comienzo y el final del arrollamiento deben quedar capturados en el centro de la base (vea el diagrama) y el filtro debe estar descansando en el piso de la base.
6. Retorne el conjunto de la carcasa a la parte superior de la base. Coloque de nuevo el humidificador en su posición de funcionamiento.
7. Una vez hecho esto, el humidificador estará listo para ser llenado con el fin de utilizarlo.

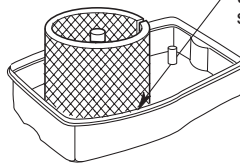
Agarre firmemente el conjunto de la carcasa y levántelo



Coloque el comienzo y el final del filtro enrollado en el centro de la base



Alinee la parte inferior del conjunto de la carcasa con la parte superior de la base y reposicione la unidad de modo seguro



Limpeza y mantenimiento

ADVERTENCIA: Para reducir el riesgo de lesiones, incendio o daños al humidificador, utilice únicamente limpiadores recomendados específicamente para humidificadores. No utilice nunca materiales inflamables, combustibles o tóxicos para limpiar el humidificador. Para reducir el riesgo de quemarse y de dañar el humidificador, no ponga nunca agua caliente en el humidificador.

PRECAUCIÓN: La pureza del agua local varía de una zona a otra y en ciertas condiciones las impurezas contenidas en el agua y las bacterias suspendidas en el aire pueden fomentar el crecimiento de microorganismos en el depósito del humidificador. Para retardar el crecimiento de bacterias que pueden causar olores y ser perjudiciales para la salud, utilice únicamente filtros de repuesto Kenmore. También recomendamos utilizar un bacteriostato aprobado por la EPA y un limpiador para humidificadores, los cuales se pueden conseguir en su tienda Sears local.

Paso 1

Para facilitar la limpieza, la base del humidificador debe estar vacía y completamente seca. Para lograr esto, utilice el método siguiente:

- Deje que el humidificador funcione hasta que la luz de **RELLENAR "F"** se ilumine y el apagado automático haya parado el ventilador del humidificador.
- Desenchufe el humidificador.

Paso 2

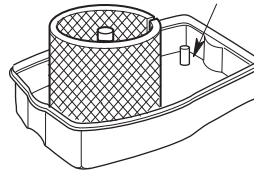
ADVERTENCIA: Para reducir el riesgo de descargas eléctricas, desenchufe siempre el humidificador antes de limpiarlo o hacerle servicio de ajustes y reparaciones. Si el humidificador no está desenchufado, el ventilador podría ponerse en marcha después de quitar la carcasa.

Para quitar piezas

Consulte la sección "Reemplazo y cuidado del filtro" en la página 26.

NOTA: Es posible que aún haya un poco de agua en la base. Vierta cuidadosamente el agua para sacarla de la base o quítela con una esponja.

NOTA: Quite el exceso de agua antes de limpiar la unidad



Paso 3

Mantenimiento cada dos semanas

Remoción de costra

- Llene la base del humidificador con una taza de 240 ml (8 onzas) de vinagre blanco sin diluir. Deje que la solución permanezca en la base durante 20 minutos.
- Limpie todas las superficies interiores con un cepillo blando. Humedezca un paño suave con vinagre blanco sin diluir y limpie la base con el paño para quitar la costra.
- Enjuague a fondo con agua templada y limpie para quitar la costra y la solución limpiadora.

Desinfección de la base

- Eche 1,9 litros (1/2 galón) de agua y 1/2 cucharadita de blanqueador de cloro en el interior de la base. Deje que la solución permanezca en la base durante 20 minutos, agitándola cuidadosamente cada pocos minutos. Moje todas las superficies que normalmente estén expuestas a agua.
- Vacíe la base después de 20 minutos. Enjuáguela con agua hasta que el olor a blanqueador haya desaparecido. Deje que la unidad se seque completamente.

NOTA: La botella de agua se debe limpiar de la misma manera que la base. Enjuáguela a fondo con agua limpia después de completar todos los pasos.

Mantenimiento de final de temporada

- Siga las instrucciones de "Mantenimiento cada dos semanas" al final de la temporada de humidificación.
- Quite el filtro.
- Deje que el humidificador se seque completamente antes de guardarlo.
- Guarde el humidificador en un lugar fresco y seco.
- Instale un filtro nuevo en el humidificador limpio antes de que comience la próxima temporada.

NOTA: El procedimiento de "Mantenimiento cada dos semanas" también se recomienda si usted no piensa utilizar el humidificador durante una semana o más.

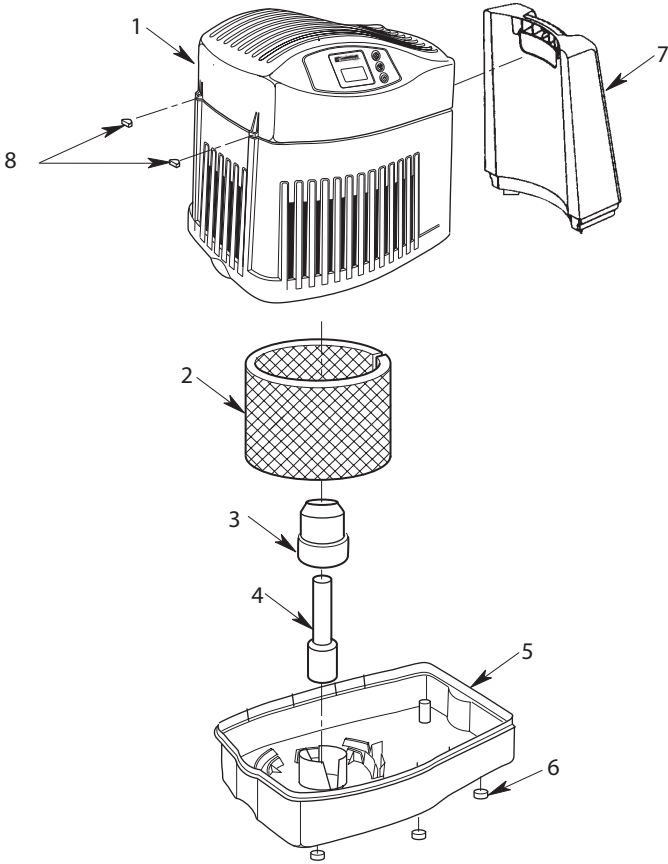
Resolución de problemas

PROBLEMA	CAUSA PROBABLE	REMEDIO
Pantalla digital no iluminada.	<ul style="list-style-type: none"> No hay corriente eléctrica. No se ha oprimido el botón de alimentación. 	<ul style="list-style-type: none"> Compruebe la fuente de alimentación de 120 V. Oprima una vez el botón de alimentación para encender la unidad.
El ventilador no funciona (la pantalla digital está iluminada).	<ul style="list-style-type: none"> El nivel de humedad AMBIENTE no está un 3% o más por debajo del nivel de AJUSTE de humedad. El depósito está vacío. 	<ul style="list-style-type: none"> Suba el nivel de AJUSTE de humedad si lo desea. Aumente la velocidad del ventilador. Llene el humidificador con agua.
El ventilador está en marcha continuamente.	<ul style="list-style-type: none"> El nivel de AJUSTE de humedad es del 65%. El nivel de humedad AMBIENTE no ha alcanzado un 1% o más por encima del nivel de AJUSTE de humedad. 	<ul style="list-style-type: none"> Un porcentaje de AJUSTE de humedad del 65% hace que el ventilador funcione continuamente. Gradúe el nivel de AJUSTE entre 25% y 60%. Continúe haciendo funcionar la unidad hasta que se logre el nivel de humedad deseado. Esto podría tomar hasta 48 horas inicialmente.
Mala evaporación de agua.	<ul style="list-style-type: none"> El mensaje de COMPROBAR FILTRO está parpadeando. Acumulación de minerales en el filtro. 	<ul style="list-style-type: none"> Cambie el filtro con un filtro totalmente nuevo. Nota: La pureza del agua local varía de una zona a otra.
La botella se vacía completamente.	<ul style="list-style-type: none"> Esto es normal para el llenado inicial. 	<ul style="list-style-type: none"> Rellene la botella para lograr el máximo tiempo de funcionamiento.
La botella continúa vaciándose después de llenarla completamente.	<ul style="list-style-type: none"> Está entrando aire en la botella de agua. 	<ul style="list-style-type: none"> Compruebe si hay un escape en la botella de agua.
La botella no se vacía.	<ul style="list-style-type: none"> El conjunto de la válvula de resorte está dañado o falta un poste en el fondo de la base. La base está llena de agua. 	<ul style="list-style-type: none"> Compruebe la orientación de la botella. Reposiciónela de modo que la válvula de llenado ubicada en la parte interior de la botella esté oprimida por el poste ubicado en el fondo de la base. La base albergará el contenido de la botella de agua (4,5 litros ó 1,2 galones). Continúe haciendo funcionar el humidificador para agotar el agua de la base.

<p>La visualización parpadea o el ventilador se mueve ligeramente al enchufar el humidificador.</p>	<ul style="list-style-type: none"> • Normal 	<ul style="list-style-type: none"> • No se requiere tomar ninguna medida.
<p>El ventilador funciona más despacio que la velocidad registrada en la pantalla digital.</p>	<ul style="list-style-type: none"> • El humidificadores está en "MODO DE RESECACIÓN". 	<ul style="list-style-type: none"> • El humidificador cambia automáticamente el ventilador a F1 (BAJA) cuando se visualizan "F" y humedad ambiente alternante.
<p>El humidificador no se apaga durante el modo de RESECACIÓN (DRY OUT).</p>	<ul style="list-style-type: none"> • El filtro no está seco. 	<ul style="list-style-type: none"> • Durante el "MODO DE RESECACIÓN", el humidificador continuará funcionando a velocidad "BAJA" según se requiera durante hasta 2 horas o hasta que el filtro esté completamente seco.
<p>Se visualizan alternativamente "F" y la humedad ambiente.</p>	<ul style="list-style-type: none"> • El depósito está vacío. 	<ul style="list-style-type: none"> • Llene el humidificador con agua.
<p>Se visualizan alternativamente "CF" y la humedad ambiente</p>	<ul style="list-style-type: none"> • El filtro podría estar sucio. 	<ul style="list-style-type: none"> • Reemplace el filtro. • Desenchufe la unidad durante 30 segundos y reenchúfela para borrar la pantalla.

Piezas de repuesto

**Lista de piezas del humidificador Kenmore
No. de modelo 758.15408010**



Lista de piezas del humidificador Kenmore No. de modelo 758.15408010

Pida siempre por número de pieza, no por número de clave

No. de clave	No. de pieza	Descripción
1	758.15408010	Conjunto superior de la carcasa (incluye todas las piezas 1 a 9)
2	32-15508	† Filtro
3	831188-1	Soporte del flotador
4	831189	Depósito del flotador
5	831187-1	Base
6	831190	Pie de goma
7	831199	Conjunto de la botella
8	831207	Tapa de tornillo
9	1B72044	Manual del usuario (no mostrado)

* Artículo de herrajes estándar. Se puede comprar localmente.

† Artículo de existencias. Se puede conseguir a través del departamento de ferretería de la mayoría de las tiendas minoristas Sears.

• Todo intento de reparar el conjunto de los controles o el motor puede crear un peligro, a menos que la reparación sea realizada por un técnico de servicio calificado. El servicio de reparaciones está disponible en la tienda Sears más cercana

Get it fixed, at your home or ours!

Your Home

For troubleshooting, product manuals and expert advice:



www.managemylife.com

For repair – **in your home** – of **all** major brand appliances, lawn and garden equipment, or heating and cooling systems, **no matter who made it, no matter who sold it!**

For the replacement parts, accessories and owner's manuals that you need to do-it-yourself.

For Sears professional installation of home appliances and items like garage door openers and water heaters.

1-800-4-MY-HOME®

(1-800-469-4663)

www.sears.com

Call anytime, day or night

(U.S.A. and Canada)

www.sears.ca

Our Home

For repair of carry-in items like vacuums, lawn equipment, and electronics, call anytime for the location of the nearest **Sears Parts & Repair Service Center**

1-800-488-1222 (U.S.A.)

www.sears.com

1-800-469-4663 (Canada)

www.sears.ca

To purchase a protection agreement on a product serviced by Sears:

1-800-827-6655 (U.S.A.)

1-800-361-6665 (Canada)

Para pedir servicio de reparación a domicilio, y para ordenar piezas:

1-888-SU-HOGAR®

(1-888-784-6427)

www.sears.com

Au Canada pour service en français:

1-800-LE-FOYER^{MC}

(1-800-633-6937)

www.sears.ca

Sears

® Registered Trademark / ™ Trademark of KCD IP, LLC in the United States, or Sears Brands, LLC in other countries

® Marca Registrada / ™ Marca de Fábrica de KCD IP, LLC en Estados Unidos, o Sears Brands, LLC in otros países

^{MC} Marque de commerce / ^{MC} Marque déposée de Sears Brands, LLC