



Kenmore High Efficiency Water Softener

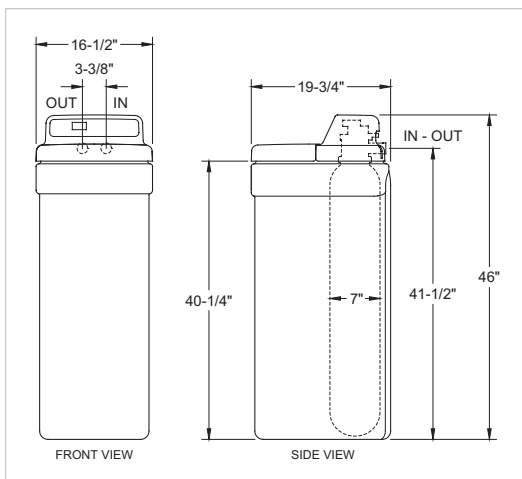
42-38300

- IntelliSoft2™ uses up to 20% less salt and 32% less water*
- High flow valve
- Demand initiated regeneration
- LCD screen for menu selection
- Third party tested and certified by the National Sanitation Foundation (NSF)
- A good choice for families up to 4 people with water hardness up to 35 grains per gallon

SELECTION	42-38300
Demand Initiated Regeneration	•
Display Screen	LCD
Clock / Settings	12 Hour
IntelliSoft2™	•
Program Memory	6 Hours
Easy to Program Control Panel	•
Low Salt Indicator	•
Recharge Tonight / Immediately	•
Rinse Options	Normal
Maximum Capacity - Grains	24,300
Salt Storage Capacity (Lbs.)	200
Maximum Salt Efficiency (Grains of Hardness Removed per lb. of Salt)	4,880 @ 1.7 lbs. of Salt
Type of Salt to Use	Potassium Chloride or Sodium Chloride
Regeneration Time (Approx. Min.)	85 – 125
Number of Cycles	5
Audio Feedback Program	•
Optional Recharge Time	•
Water Used During Regeneration (Gallons)	15
Minimum Flow Rate (GPM)	3
Water Pressure Limits (PSI)	20 – 125
Water Temperature Limits (F)	40 – 120
Tested Service Flow Rate (GPM)	7.3
Maximum Clear Water Iron (PPM)	3
Valve Type	High Flow
High Capacity Resin (cu. ft.)	0.68
NSF® Certified.	•
Install Kit Included	1" Male NPT
By-Pass Valve, Plastic	Included
Drain Tubing 20 ft. Roll	Included
115 / 24V Electrical System	•
Water Inlet / Valve Diameter (In.)	1
Shipping Weight (Approx. Lbs.)	90

WARRANTY	
1-Year Limited Warranty – Entire Appliance	Parts & Labor
10-Years Limited Warranty	Tank

If used for other than private family purposes, warranty applies for only 90 days.



*Compared to Kenmore water softeners sold since 2001