

Kenmore Range Hoods



22-50941 – 24" Convertible

22-51041 – 30" Convertible

22-51141 – 36" Convertible

- ▶ Vented 3 1/4" x 10" or ventless**
- ▶ Two-speed rocker control
- ▶ 160 CFM fan
- ▶ Work/night light*
- ▶ Requires damper kit 22-59102 for vented operation or grease filter 22-50183 for ventless operation

*Lamps sold separately

**Requires non-vented filter (sold separately) for ventless operation

Size Selection	
24"	22-50941
30"	22-51041
36"	22-51141
Venting	
Convertible	
Vertical CFM	160
Horizontal CFM	160
Rectangular (Inches)	3 1/4 x 10
Vertical Sones (Vented)	6.5
Horizontal Sones (Vented)	6.5
General Features	
Fan Type	Single
Control Type	Rocker
Speeds	2
Work Light*	75W
Amps	2.0
Volts	110-120
Shipping Weight (Approx. Lbs.)	13
Accessories	
Aluminum Grease Filter	Included
Non-Vented Filter**	22-50183
Damper Kit***	22-59102
Warranty	
Full 1-Year Warranty	Parts & Labor
Limited 30-Days – Finish On Any Painted or Bright Metal Parts	Parts

*Lamps sold separately

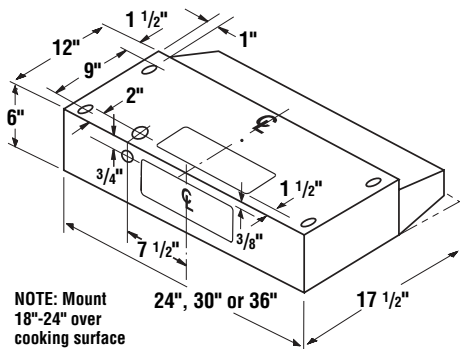
**Required for ventless operation

***Required for vented operation

HOOD TECHNICAL SUPPORT

1-800-637-1453

7:30 AM – 6:00 PM CST



RANGE HOOD ACCESSORIES

24" High Wall Backsplash:	30-Inch	36-Inch
White/Almond	22-58128	22-58138
Stainless Steel	22-58129	22-58139
Black/Bisque	22-58120	22-58130
Caps: 22-59691 – Wall Cap – 6" (Round) – Aluminum		
22-59391 – Wall Cap – 3 1/4" x 10" – Black		
22-59091 – Roof Cap – 3 1/4" x 10" or up to 8" Round – Black		
Duct Transition: 22-59581 – 3 1/4" x 10" to 6" Round		

Type	CFM	24"	30"	36"	Stainless	Bisque	Black	White w/Black
Convertible Hoods (Vented 3 1/4" x 10" Rectangular or Ventless**)	160	●				22-50944		22-50941
	160		●		22-51040	22-51044	22-51049	22-51041
	160			●				22-51141

**Requires non-vented filter (sold separately) for ventless operation