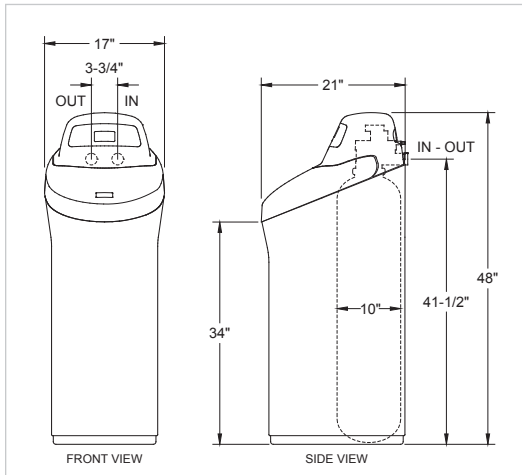




Kenmore Elite Hybrid Water Softener

42-38520

- A water softener and whole home filter in one
- Reduces chlorine taste and odor
- No filters to replace
- Softens water – reducing scale build-up on appliances and fixtures
- Ultra flow valve – 41% better water flow than the high flow valve. Great for everyone and especially larger homes and families
- Ultra Cleansing for cleaner / clearer water
- Large lighted LCD display with water-use monitor
- Automatic LED tank light
- Ergonomic design – easier to add salt
- A good choice for any home or family. Designed for municipal water and most private wells.



SELECTION	42-38520
Demand Initiated Regeneration	•
Display Screen	Large Lighted LCD
Clock / Settings	12 / 24 and Gallon / Liter
Ultra Cleansing	•
Low Salt Entry	•
Easy to Program Control Panel	•
Low Salt Indicator	Advanced
Salt Tank Light	Automatic LED
Set Salt Type	•
Recharge Tonight / Immediately	•
Rinse Options	Normal, Clean
Maximum Capacity - Grains	31,100
Salt Storage Capacity (Lbs.)	200
Maximum Salt Efficiency (Grains of Hardness Removed per lb. of Salt)	4,230 @ 2.6 lbs. of Salt
Type of Salt to Use	Potassium Chloride or Sodium Chloride
Regeneration Time (Approx. Min.)	93 – 124
Number of Cycles	5
Audio Feedback Program	•
Optional Recharge Time	•
Water Used During Regeneration (Gallons)	54
Minimum Flow Rate (GPM)	3
Water Pressure Limits (PSI)	20 – 125
Water Temperature Limits (F)	40 – 120
Tested Service Flow Rate (GPM)	8
Maximum Clear Water Iron (PPM)	3
Barium, Radium 226 / 228 Reduction	•
Valve Type	Ultra Flow
High Capacity Resin (cu. ft.)	0.98
NSF <sup>®</sup> Certified	•
Install Kit Included	1" Male NPT
By-Pass Valve	Included
Drain Tubing 20 ft. Roll	Included
115 / 24V Electrical System	•
Water Inlet / Valve Diameter (In.)	Optional 1 1/4
Shipping Weight (Approx. Lbs.)	126

**WARRANTY**

1-Year Limited Warranty – Entire Appliance	Parts & Labor
3-Years Limited Warranty – Electronics	Parts & Labor
10-Years Limited Warranty	Tank

If used for other than private family purposes, warranty applies for only 90 days.

**CHLORINE REDUCTION**

Rated Capacity at Chlorine Concentration of:*	
0.50 ppm	2,280,000 gal.**
0.75 ppm	1,520,000 gal.**
1.0 ppm	1,140,000 gal.**
1.5 ppm	760,000 gal.**
2.0 ppm	570,000 gal.**

\*Typical residential chlorine concentration is 0.5 to 1.0 ppm.  
 \*\*From independent laboratory test data.  
 These systems conform to NSF/ANSI Standards 42 and 44 for the specific performance claims as verified and substantiated by test data. The efficiency rating is only valid at the stated salt dose. These softeners were efficiency rated according to NSF/ANSI Standard 44.